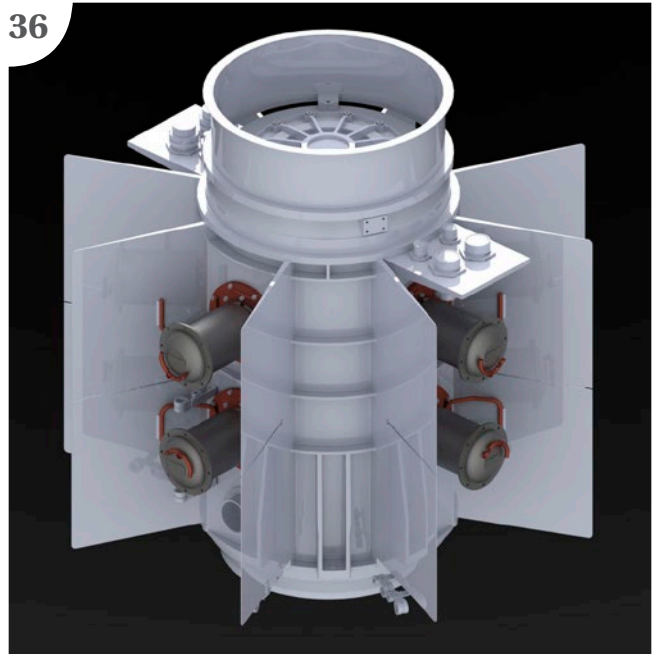


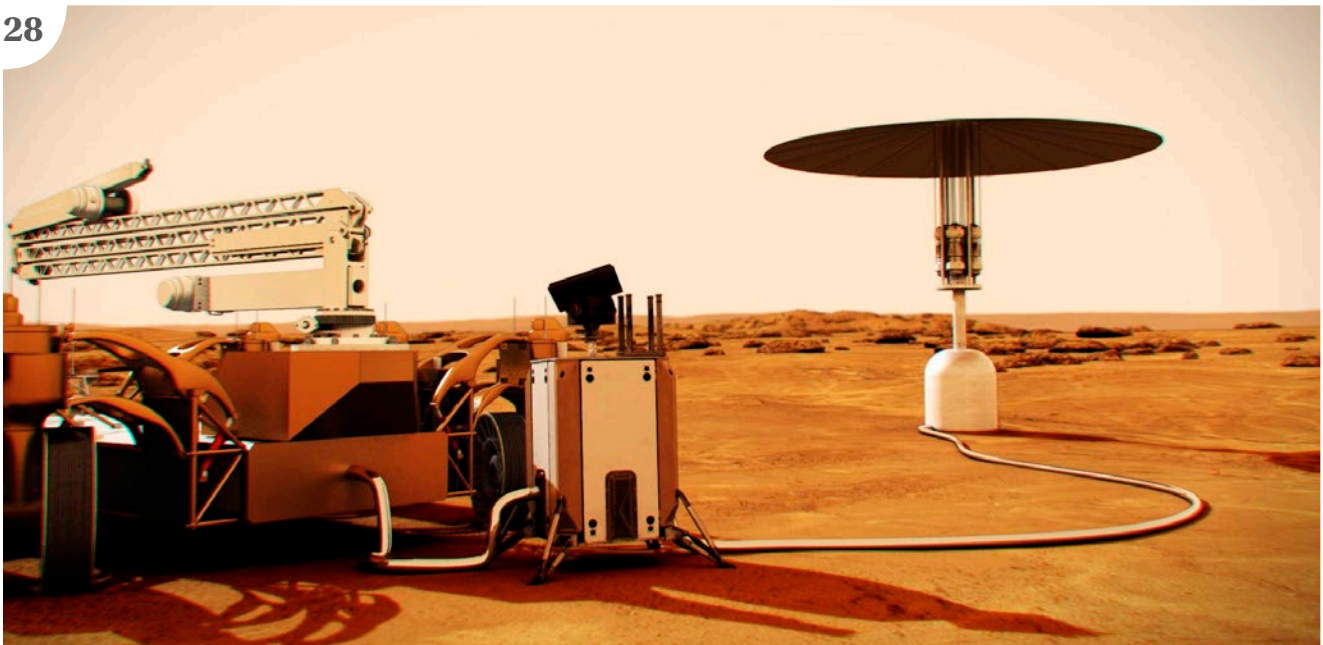
20



36



28



Feature Articles

20 Leading DRACO to launch: An interview with DARPA's Tabitha Dodson

28 Nuclear applications for space: Surface power & nuclear propulsion

36 Dynamic radioisotope power system development for NASA missions

54



68



74



92



Insight & Opinion

- 4 **Nuclear Notes**
Unlimited space
- 6 **Readers Write**
Recommendations for attracting young talent
- 7 **Letters**
- 10 **Atoms**
Space travel plans
- 12 **Leaders**
Challenges facing our space nuclear future
- 92 **Opinion**
Space needs a few good nukes
- 104 **Nuclear News Asks**
How has student research in nuclear thermal rockets shaped your career plans?

Headlines

- 14 **Nuclear Trending**
- 46 **Power & Operations**
- 54 **Research & Applications**
- 60 **Waste Management**
- 68 **Education**
- 70 **History**
- 78 **ANS News**

Community Updates

- 86 **Industry**
- 90 **Standards**
- 91 **Index to Advertisers**
- 96 **People**
- 100 **Calendar**
- 102 **Recently Published**
- 103 **ANS Journals**

Editorial

Director of Publications John Fabian

Publisher/Editor-in-Chief Rick Michal

Staff Writers

Susan Gallier, Tim Gregoire, Michael McQueen

Contributor A. J. Smuskiewicz

Copy Editors David Strutz, Mary Tong

Graphic Design Specialist Chris Salvato

Contributing Designers Jay Bogardus, Lisa Dagley

Advertising & Circulation

Director of Sales Jeff Mosses

Advertising Production Specialist Erica McGowan

Editorial Advisory Committee

Jess C. Gehin, John G. Gilligan,
Lawrence E. (Larry) Boing, Dale Vines

ANS Officers

President Steven Arndt

Vice President/President-Elect Kenneth Petersen

Treasurer W. A. "Art" Wharton III

Chairman, ANS Publications Steering Committee
Xiaodong Sun

Administrative

Executive Director/Chief Executive Officer
Craig Piercy

ANS Headquarters

General Information

askanything@ans.org
708/352-6611 | Fax 708/579-8314 | ans.org

Nuclear News Advertising

708/579-8225 | 708/579-8226
ans.org/advertise | advertising@ans.org

Nuclear News Editorial

708/579-8216 | nucnews@ans.org | ans.org/nn

Nuclear News (ISSN: 0029-5574), Volume 66, Number 4. Published monthly (except during the month of April when issued twice monthly) by the American Nuclear Society, Incorporated, with business, executive, and editorial offices at 555 N. Kensington Ave., La Grange Park, Illinois 60526; telephone 708/352-6611. Subscription rate for 2023 is \$725, which includes complimentary electronic access, 1959 to current issue; for subscriptions outside North America, add \$80 for shipping and handling. Alternatively, subscription rate is \$635 for Electronic Access Only, 1959 to current issue. Single copy price (regular monthly issues) is \$52; add \$12 for postage and handling if being shipped to address outside North America. Single copy price for annual mid-April Buyers Guide is \$125; add \$15 for postage and handling if being shipped to address outside North America. Individual ANS members receive *Nuclear News* as part of membership. Replacement copies may be obtained at the single copy price, as long as copies are available. Inquiries about the distribution and delivery of *Nuclear News* and requests for changes of address should be directed to the American Nuclear Society. Allow six weeks for a change to become effective. POSTMASTER: Send change of address orders to *Nuclear News*, American Nuclear Society, 555 N. Kensington Ave., La Grange Park, Illinois 60526, or nucnews@ans.org.

Nuclear News is printed in New Richmond, Wis. 54017, by St. Croix Press, Inc. Nonprofit periodicals postage paid at La Grange, Illinois, and at additional mailing offices. Copyright © 2023 by the American Nuclear Society, Inc. Trademark registered in USA and Canada. Opinions expressed in this publication by the authors are their own and do not necessarily reflect the opinions of the editors, the American Nuclear Society, or the organizations with which the authors are affiliated, nor should publication of author viewpoints or identification of materials or products be construed as endorsement by this publication or by the Society.

Texts of most *Nuclear News* articles are available on the LexisNexis database, from Mead Data Corporation.